

Pheenix Stand-Alone Trimmer Station for Vinyl Records – Precision, Durability, and Efficiency.

The Pheenix Stand-Alone Trimmer Station is a robust and easy-to-use solution designed to meet the highest standards of quality, efficiency, and durability in vinyl record trimming.

Built on our proven AD12 cutting knife technology and featuring a new fixation system, this trimmer station is fully adjustable for 7", 10", and 12" records.

The record is placed by hand on the trimmer table. Push start and the heated cutting knife engages. The trimmer table and record begin turning, separating the excess material (flash) from the record.

Designed for both precision and speed, the Pheenix Stand-Alone Trimmer Station ensures clean, efficient, and consistent trimming, making it the perfect solution for high-quality vinyl production.

FEATURES

- Heated Knife.
- Fully adjustable for 7", 10", and 12" records.
- Complies with European CE safety regulations.
- Beckhoff PLC software with a 7" touchscreen for enhanced control and accessibility.

Pheenix Returns to Manual Production for Smaller Runs and Creative Vinyl Projects.

Pheenix is proud to announce the return of manual production, complementing our flagship automatic AD12 system. This expansion enables us to better meet the needs of smaller operations and customers seeking maximum flexibility and creativity.

By reintroducing the manual process, we are now able to offer unique and customized vinyl pressings, including sought-after formats such as picture discs, splatter patterns, and multi-colored vinyl. This move reflects our commitment in supporting independent artists, boutique labels, and anyone looking to create truly extraordinary vinyl records.

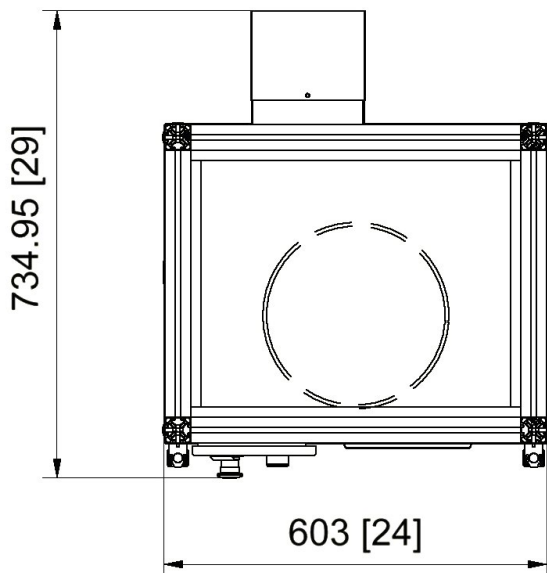
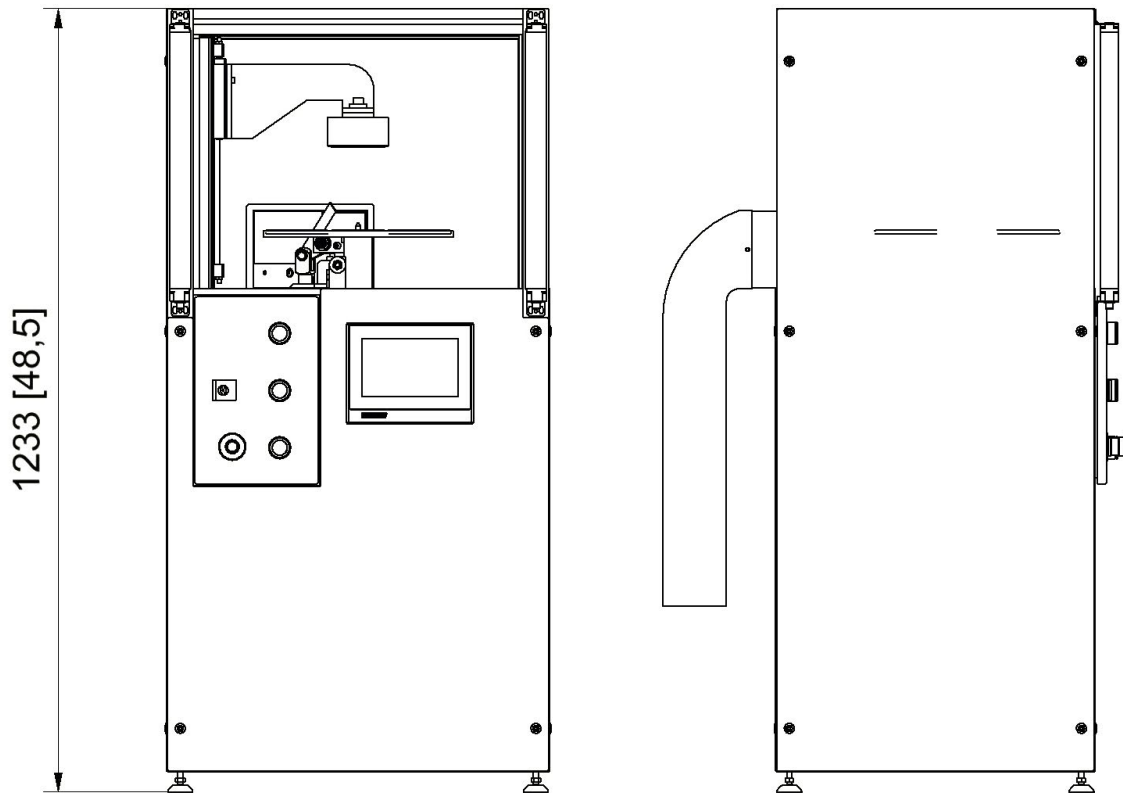
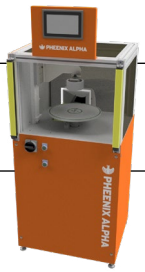
We have seen a growing demand for highly creative designs and smaller production runs; by reintroducing manual production the press allows us to provide even greater flexibility and innovation to our customers.

Pheenix has a long-standing tradition of excellence and innovation in vinyl production. This initiative is part of our broader strategy to strengthen customer relationships and continue delivering top-tier craftsmanship and quality.

This new manual system is based on the trusted AD12 platform, ensuring compatibility with many of its spare parts, offering a clear advantage to our customers in terms of maintenance and reliability.

Flexibility with Dual Press Options

The AD12 Manual also allows customers to expand their setup with **two presses serviced by a single extruder**, enabling efficient production at a higher scale. Additionally, customers can choose **extra extruders** for the creation of multi-colored vinyl records, providing more options for creative and artistic projects.



Please
contact us with
any questions or
to make a
request.

Media supply requirements for one Pheenix Stand-Alone Trimmer

ELECTRICAL INPUT	3x400/3x480 V+PE 50-60 Hz 6 Amp singel fase
COMPRESSED AIR PRESSURE	6-9 Bar, 100 l/min

